

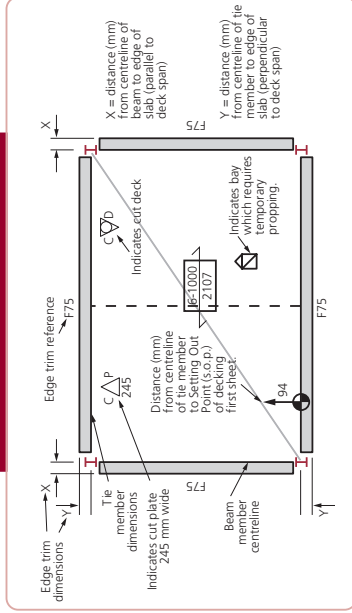
Shallow Composite Floor Decks

Construction details

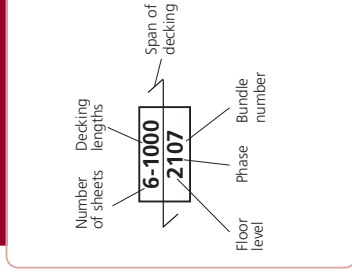
Shallow Composite Floor Decks

Construction details

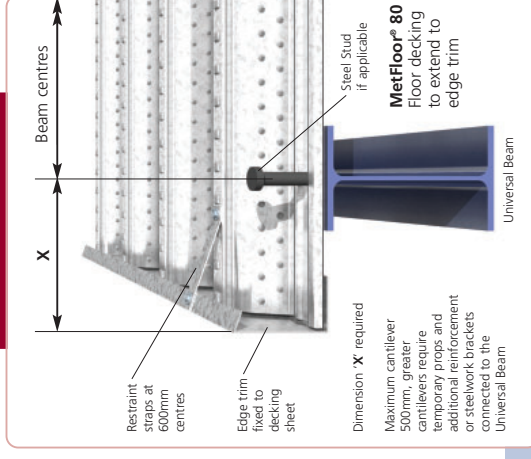
Plan view of typical floor layout



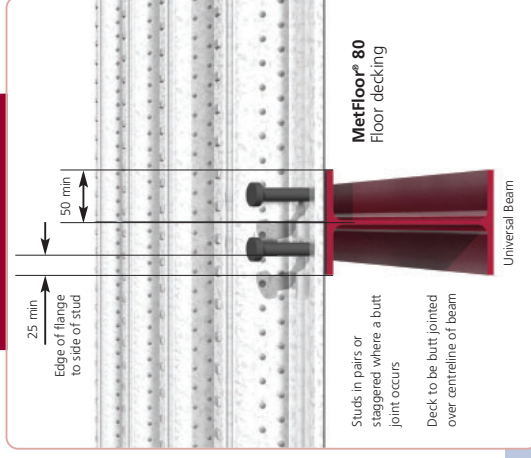
Deck notation



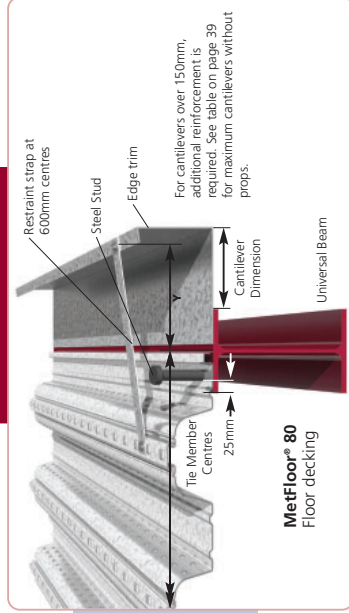
Typical end cantilever



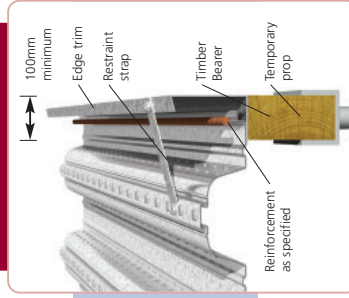
Butt Joint



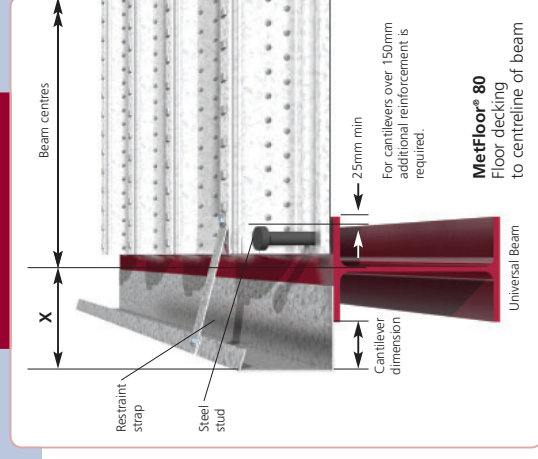
Typical side detail



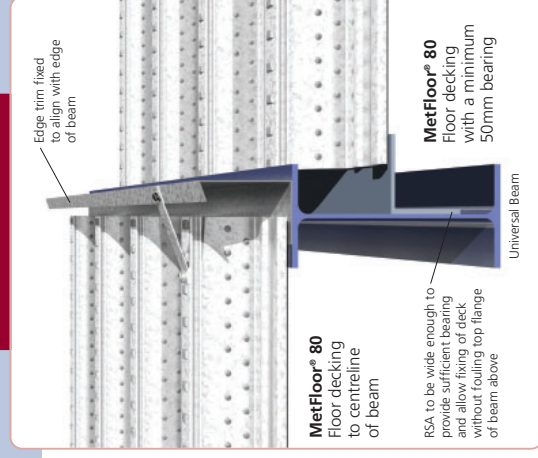
Unsupported edge detail



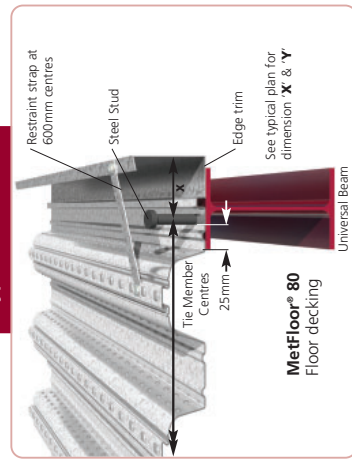
End detail



Step in floor



Typical side detail



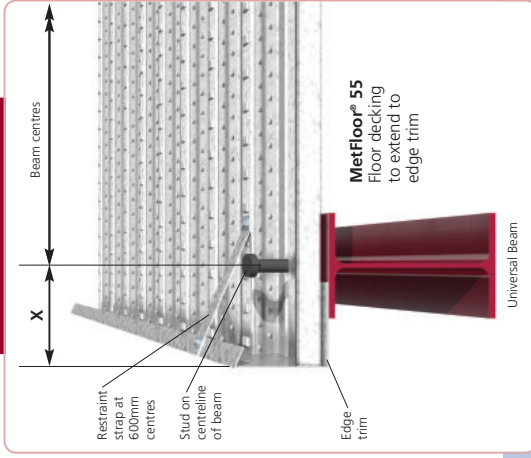
Shallow Composite Floor Decks

Construction details

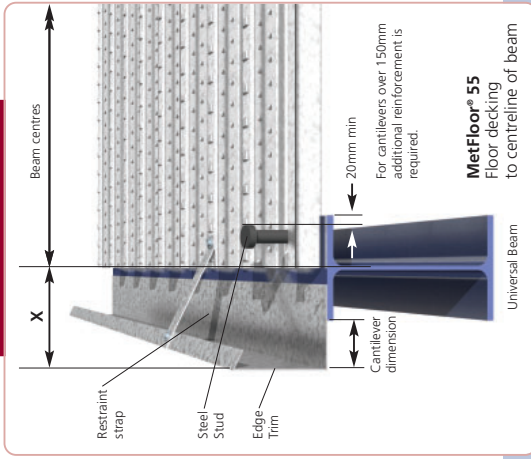
Shallow Composite Floor Decks

Construction details

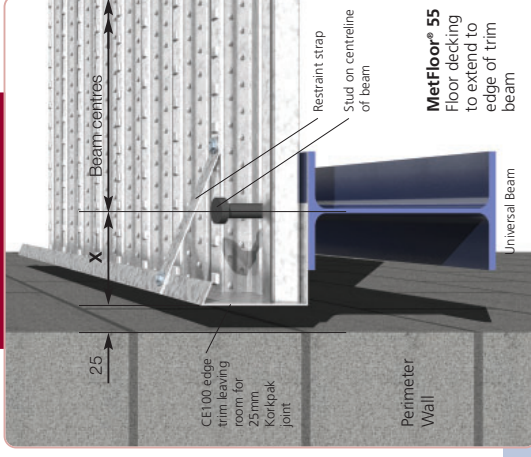
End detail alternative 1



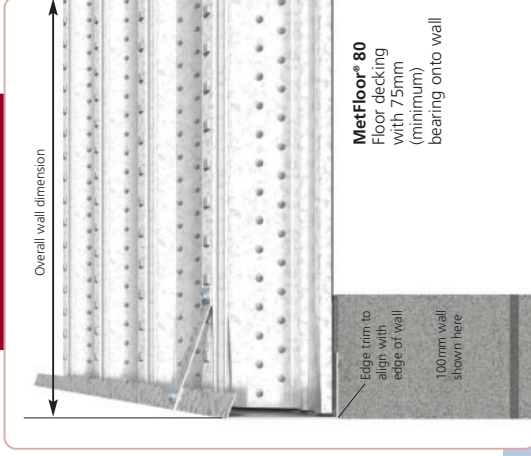
End detail alternative 2



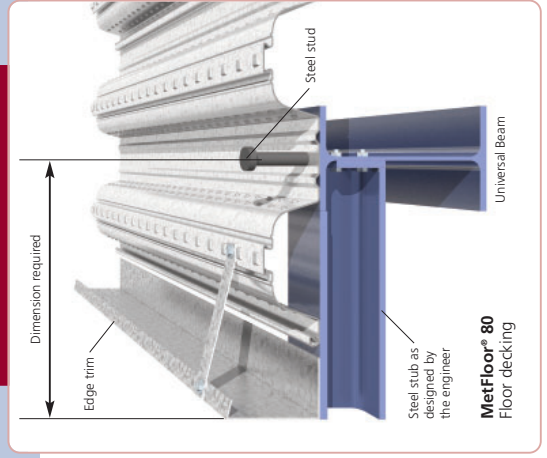
Beam at perimeter wall



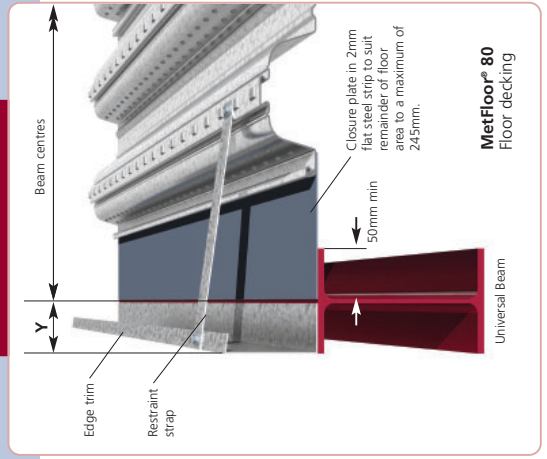
Typical wall end detail



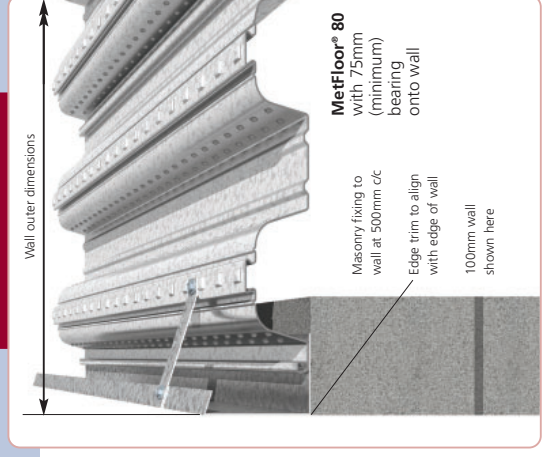
Side cantilever with stub bracket



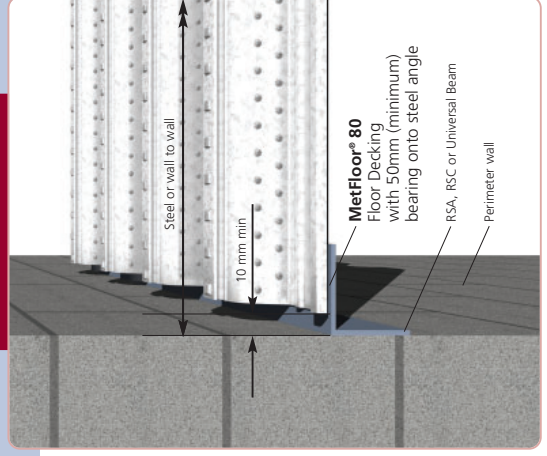
Typical edge with plate



Typical wall side detail



Typical Side Detail



Shallow Composite Floor Decks

Sitework

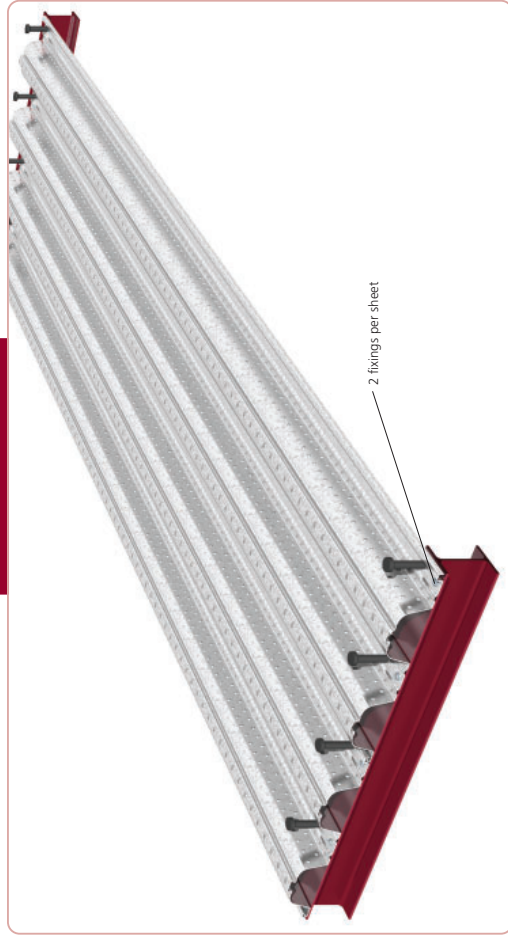
Deck fixing

As soon as you lay the deck fix it through its trough to the top of the supporting structure using powder actuated pins or self-drilling screws. Use side lap fixings at 1000mm centres for MetFloor® 60 and MetFloor® 80. Where shear studs are being used the deck needs two fixings per sheet per support at sheet ends and one fixing per sheet at intermediate supports.

Fixing Information for Shallow Decking

To Steel	Heavy duty powder actuated fixings - Hilti ENP2 X-ENP-19 L15 nail/Spit SBR14 or equivalent. For temporary fixing (i.e. where weld through shear studs are to be used) - Hilti PINDAK16®
To Masonry or Concrete	Self-drilling screws. To steel up to 11mm thick - SFS SD14 - 5.5 x 32 / EJOT HS 38 or equivalent. To steel up to 17mm thick SFS TDC-T-6.3 x 38 or equivalent
To Masonry or Concrete	Pre drill hole - use self tapping fixing suitable for masonry/concrete - SFS TB-T range/EJOT-4H32 or equivalent
To side laps or closures etc.	Self drilling stitching screw typically SFS SL range / EJOT SF25 or equivalent

Deck fixing on MetFloor® 80

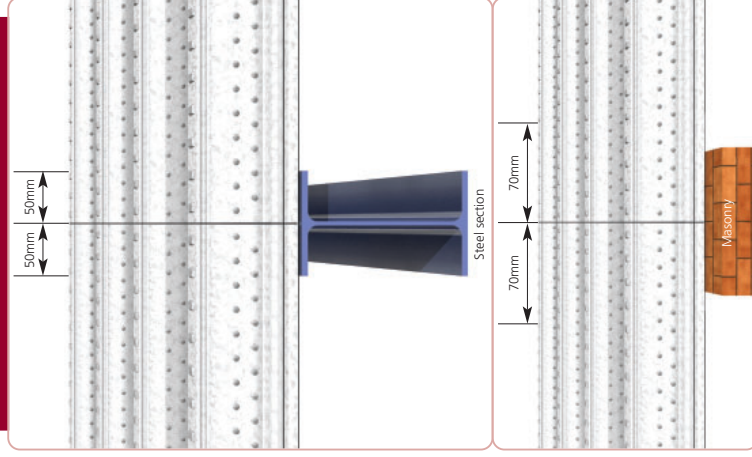


Shallow Composite Floor Decks

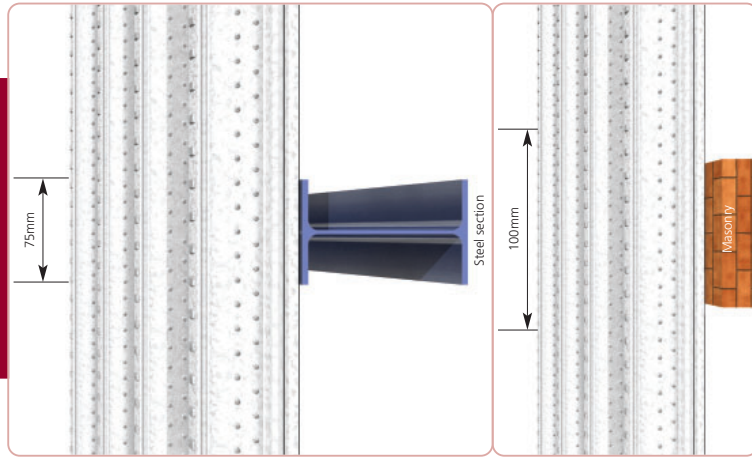
Sitework

Bearing requirements

End bearing and shared bearing (minimum)



Continuous bearing (minimum)



Edge trim

You should use edge trim to maintain the wet concrete at the correct level at the decking perimeters. Fix it to the supports in the same manner as the deck and restrain the top by straps at 600mm centres fixed to the top of the deck profile with steel pop rivets or self-drilling screws.

Edge Trim Selector

Edge trim depth	Galv. Steel Edge Trim Thickness (mm)	Maximum Cantilever (mm)
130	0.9	2.0
150	1.2	1.6
175	1.6	1.6
185	1.6	1.6
200	x	x
250	x	x
300	x	x
350	x	x

x = not recommended

